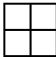
















| Unicode | 旧 | | 新 | |
|---------|-------|----|-------|----|
| | CID | 字形 | CID | 字形 |
| 007C | 93 | 丨 | 99 | |
| 007E | 95 | ~ | 100 | ~ |
| 00A6 | 99 | | 93 | 丨 |
| 0127 | 12092 | ħ | | |
| 0192 | | | 105 | f |
| 01C0 | 99 | | | |
| 0237 | | | 9435 | J |
| 02BB | | | 98 | ‘ |
| 02BC | | | 96 | ’ |
| 02C6 | | | 128 | ^ |
| 02DA | | | 133 | ° |
| 02DC | | | 95 | ~ |
| 0361 | 758 | ⤿ | | |
| 03D5 | | | 12094 | φ |
| 045B | 12092 | ħ | | |
| 1F70 | | | 9420 | à |
| 1F71 | | | 9419 | á |
| 1F72 | | | 9434 | è |
| 1F73 | | | 9433 | é |
| 2018 | 670 | ‘ | 98 | ‘ |
| 2019 | 671 | ’ | 96 | ’ |
| 201C | 672 | “ | 108 | “ |

| Unicode | 旧 | | 新 | |
|---------|-------|----|-------|----------------|
| | CID | 字形 | CID | 字形 |
| 201D | 673 | ” | 122 | ” |
| 203E | 325 | — | 226 | — |
| 205A | | | 7898 | ∴ |
| 205D | | | 7897 | ∴ |
| 20DD | 779 | ○ | | |
| 20DE | | | 11035 | □ |
| 213B | | | 8307 | FAX |
| 2150 | | | 9790 | $\frac{1}{7}$ |
| 2151 | | | 9800 | $\frac{1}{9}$ |
| 2152 | | | 9806 | $\frac{1}{10}$ |
| 2156 | | | 9785 | $\frac{2}{5}$ |
| 2157 | | | 9786 | $\frac{3}{5}$ |
| 2158 | | | 9787 | $\frac{4}{5}$ |
| 2159 | | | 9788 | $\frac{1}{6}$ |
| 215A | | | 9789 | $\frac{5}{6}$ |
| 2189 | | | 9780 | $\frac{0}{3}$ |
| 2195 | 12215 | ↕ | | |
| 21CB | | | 12207 | ⇌ |
| 2219 | | | 117 | . |
| 2225 | 666 | | | |
| 223C | 665 | ~ | 100 | ~ |
| 229D | 12186 | ⊖ | | |

| Unicode | 旧 | | 新 | |
|---------|-------|---|-------|---|
| | CID | 字形 | CID | 字形 |
| 229E | 12190 |  | | |
| 22EE | 7897 | ⋮ | | |
| 22EF | 668 | ⋯ | | |
| 2300 | 12184 | ⊘ | | |
| 239B | | | 12143 |  |
| 239C | | | 12167 | |
| 239D | | | 12144 |  |
| 239E | | | 12145 |  |
| 239F | | | 12167 | |
| 23A0 | | | 12146 |  |
| 23A1 | | | 12151 |  |
| 23A2 | | | 12167 | |
| 23A3 | | | 12152 |  |
| 23A4 | | | 12153 |  |
| 23A5 | | | 12167 | |
| 23A6 | | | 12154 |  |
| 23A7 | | | 8178 |  |
| 23A8 | | | 8179 |  |
| 23A9 | | | 8180 |  |
| 23AA | | | 12167 | |
| 23AB | | | 8174 |  |
| 23AC | | | 8175 |  |

| Unicode | 旧 | | 新 | |
|---------|-------|----|-------|----|
| | CID | 字形 | CID | 字形 |
| 23AD | | | 8176 | 丿 |
| 244A | 12116 | 〳 | | |
| 24EB | | | 10515 | ⑪ |
| 24EC | | | 10516 | ⑫ |
| 24ED | | | 10517 | ⑬ |
| 24EE | | | 10518 | ⑭ |
| 24EF | | | 10519 | ⑮ |
| 24F0 | | | 10520 | ⑯ |
| 24F1 | | | 10521 | ⑰ |
| 24F2 | | | 10522 | ⑱ |
| 24F3 | | | 10523 | ⑲ |
| 24F4 | | | 10524 | ⑳ |
| 24FF | | | 10503 | ㊀ |
| 2612 | 12185 | ☒ | | |
| 26A0 | | | 12192 | ⚠ |
| 26BE | | | 12097 | ⚾ |
| 273F | | | 12229 | ♣ |
| 2740 | | | 12228 | ♣ |
| 277F | | | 10514 | ⑩ |
| 2B05 | | | 8207 | ← |
| 2B06 | | | 8208 | ↑ |
| 2B07 | | | 8209 | ↓ |

| Unicode | 旧 | | 新 | |
|---------|------|----|-------|---|
| | CID | 字形 | CID | 字形 |
| 2B1A | | | 11036 |  |
| 2EAC | 2260 | 示 | | |
| 3018 | | | 12129 |  |
| 3019 | | | 12130 |  |
| 303B | | | 12106 |  |
| 303D | | | 12179 |  |
| 3095 | | | 7959 | か |
| 3096 | | | 7960 | け |
| 309F | | | 12181 | か |
| 3244 | | | 10498 | 問 |
| 3251 | | | 8091 | 21 |
| 3252 | | | 8102 | 22 |
| 3253 | | | 8103 | 23 |
| 3254 | | | 8104 | 24 |
| 3255 | | | 8105 | 25 |
| 3256 | | | 8106 | 26 |
| 3257 | | | 8107 | 27 |
| 3258 | | | 8108 | 28 |
| 3259 | | | 8109 | 29 |
| 325A | | | 8110 | 30 |
| 325B | | | 8111 | 31 |
| 325C | | | 10244 | 32 |

| Unicode | 旧 | | 新 | |
|---------|-----|----|-------|----|
| | CID | 字形 | CID | 字形 |
| 325D | | | 10245 | ㉓ |
| 325E | | | 10246 | ㉔ |
| 325F | | | 10247 | ㉕ |
| 32B1 | | | 10248 | ㉖ |
| 32B2 | | | 10249 | ㉗ |
| 32B3 | | | 10250 | ㉘ |
| 32B4 | | | 10251 | ㉙ |
| 32B5 | | | 10252 | ㉚ |
| 32B6 | | | 10253 | ㉛ |
| 32B7 | | | 10254 | ㉜ |
| 32B8 | | | 10255 | ㉝ |
| 32B9 | | | 10256 | ㉞ |
| 32BA | | | 10257 | ㉟ |
| 32BB | | | 10258 | ㊱ |
| 32BC | | | 10259 | ㊲ |
| 32BD | | | 10260 | ㊳ |
| 32BE | | | 10261 | ㊴ |
| 32BF | | | 10262 | ㊵ |
| 342E | | | 14216 | 褻 |
| 3468 | | | 14047 | 俣 |
| 38FA | | | 13852 | 小 |
| 3D4E | | | 7655 | 澗 |

| Unicode | 旧 | | 新 | |
|---------|-------|----|-------|----|
| | CID | 字形 | CID | 字形 |
| 4525 | | | 14206 | 蕭 |
| 47E6 | | | 14224 | 跋 |
| 4B38 | | | 13791 | 餐 |
| 4FF1 | | | 13731 | 俱 |
| 5002 | 13383 | 併 | | |
| 541E | | | 13964 | 吞 |
| 5B76 | | | 14120 | 孳 |
| 5DB2 | 15269 | 騫 | 15405 | 騫 |
| 5ECB | 14510 | 廋 | 15390 | 廋 |
| 665A | | | 13377 | 晚 |
| 67FA | | | 7834 | 柺 |
| 6801 | 8494 | 柳 | 14066 | 柳 |
| 6986 | | | 14144 | 榆 |
| 69EA | 13679 | 概 | 13329 | 概 |
| 6C3A | 14690 | 氷 | | |
| 6FF9 | 14741 | 漑 | 15395 | 漑 |
| 71B3 | 14766 | 熯 | 15397 | 熯 |
| 7626 | 7725 | 瘦 | 13893 | 瘦 |
| 7D55 | | | 13882 | 絕 |
| 8346 | | | 7672 | 荆 |
| 835A | | | 14202 | 莢 |
| 8C9F | | | 13644 | 貪 |

| Unicode | 旧 | | 新 | |
|---------|-------|----|-------|----|
| | CID | 字形 | CID | 字形 |
| 95E8 | | | 14061 | 𠂇 |
| 9C6A | 15346 | 鰭 | | |
| 9C70 | | | 15346 | 鰭 |
| 9FB4 | | | 14048 | マ |
| 9FBC | | | 15431 | 濬 |
| 9FBD | | | 15429 | 燠 |
| 9FBE | | | 15434 | 𦉑 |
| 9FC4 | | | 14089 | 梁 |
| 9FC6 | | | 14168 | 菝 |
| F909 | | | 13739 | 契 |
| F91D | | | 13392 | 欄 |
| F91F | | | 14084 | 蘭 |
| F936 | | | 13394 | 虜 |
| F95F | | | 13971 | 寧 |
| F970 | | | 13344 | 殺 |
| F983 | | | 14088 | 旅 |
| F992 | | | 7809 | 漣 |
| F993 | | | 7810 | 煉 |
| F999 | | | 7811 | 蓮 |
| F99A | | | 14097 | 連 |
| F9A2 | | | 14095 | 廉 |
| F9C3 | | | 7808 | 遼 |

| Unicode | 旧 | | 新 | |
|---------|------|----|-------|----|
| | CID | 字形 | CID | 字形 |
| F9D0 | | | 13396 | 類 |
| F9DC | 8686 | 隆 | 13393 | 隆 |
| F9EC | | | 7750 | 溺 |
| FA03 | | | 13956 | 糖 |
| FA10 | 8422 | 塚 | 7746 | 塚 |
| FA11 | 8443 | 崎 | 14290 | 崎 |
| FA30 | | | 13382 | 侮 |
| FA31 | | | 13360 | 僧 |
| FA32 | | | 13389 | 免 |
| FA33 | | | 13385 | 勉 |
| FA34 | | | 13338 | 勤 |
| FA35 | | | 13378 | 卑 |
| FA36 | | | 7651 | 喝 |
| FA37 | | | 13366 | 嘆 |
| FA38 | | | 13333 | 器 |
| FA39 | | | 13384 | 塀 |
| FA3A | | | 13387 | 墨 |
| FA3B | | | 13361 | 層 |
| FA3D | | | 13326 | 悔 |
| FA3E | | | 13328 | 慨 |
| FA3F | | | 13363 | 憎 |
| FA40 | | | 13369 | 懲 |

| Unicode | 旧 | | 新 | |
|---------|-----|----|-------|----|
| | CID | 字形 | CID | 字形 |
| FA41 | | | 13381 | 敏 |
| FA42 | | | 13334 | 既 |
| FA43 | | | 13352 | 暑 |
| FA44 | | | 13375 | 梅 |
| FA45 | | | 13327 | 海 |
| FA46 | | | 7700 | 渚 |
| FA47 | | | 13332 | 漢 |
| FA48 | | | 13347 | 煮 |
| FA49 | | | 15398 | 𠂇 |
| FA4A | | | 7732 | 琢 |
| FA4B | | | 13379 | 碑 |
| FA4C | | | 13348 | 社 |
| FA4D | | | 13345 | 祉 |
| FA4E | | | 13335 | 祈 |
| FA4F | | | 13391 | 祐 |
| FA50 | | | 13359 | 祖 |
| FA51 | | | 13351 | 祝 |
| FA52 | | | 13325 | 禍 |
| FA53 | | | 13371 | 禎 |
| FA54 | | | 13343 | 穀 |
| FA55 | | | 13373 | 突 |
| FA56 | | | 13358 | 節 |

| Unicode | 旧 | | 新 | |
|---------|-----|----|-------|----|
| | CID | 字形 | CID | 字形 |
| FA57 | | | 13399 | 練 |
| FA59 | | | 13376 | 繁 |
| FA5A | | | 13353 | 署 |
| FA5B | | | 13349 | 者 |
| FA5C | | | 13350 | 臭 |
| FA5D | | | 14199 | 𠄎 |
| FA5E | | | 14198 | 𠄎 |
| FA5F | | | 13367 | 著 |
| FA60 | | | 13331 | 褐 |
| FA61 | | | 13346 | 視 |
| FA62 | | | 13321 | 謁 |
| FA63 | | | 13339 | 謹 |
| FA64 | | | 13380 | 賓 |
| FA65 | | | 13364 | 贈 |
| FA66 | | | 15403 | 𠄎 |
| FA67 | | | 13320 | 逸 |
| FA68 | | | 13374 | 難 |
| FA69 | | | 13337 | 響 |
| FA6A | | | 7788 | 頻 |
| FA6B | | | 13740 | 慮 |
| FA6C | | | 14281 | 熙 |
| FA6D | | | 13695 | 館 |

| Unicode | 旧 | | 新 | |
|---------|-----|----|-------|-----|
| | CID | 字形 | CID | 字形 |
| FE10 | | | 8268 | ’ |
| FE11 | | | 7887 | 、 |
| FE12 | | | 7888 | ○ |
| FE19 | | | 7897 | ⋮ |
| FE45 | | | 12639 | ◡ |
| FE46 | | | 12640 | ◢ |
| FE47 | | | 7903 | ⌈ |
| FE48 | | | 7904 | ⌋ |
| FF5F | | | 12131 | ((|
| FF60 | | | 12132 |) |
| 1F100 | | | 8061 | Ō |
| 1F110 | | | 10004 | (A) |
| 1F111 | | | 10005 | (B) |
| 1F112 | | | 10006 | (C) |
| 1F113 | | | 10007 | (D) |
| 1F114 | | | 10008 | (E) |
| 1F115 | | | 10009 | (F) |
| 1F116 | | | 10010 | (G) |
| 1F117 | | | 10011 | (H) |
| 1F118 | | | 10012 | (I) |
| 1F119 | | | 10013 | (J) |
| 1F11A | | | 10014 | (K) |

| Unicode | 旧 | | 新 | |
|---------|-----|----|-------|-----|
| | CID | 字形 | CID | 字形 |
| 1F11B | | | 10015 | (L) |
| 1F11C | | | 10016 | (M) |
| 1F11D | | | 10017 | (N) |
| 1F11E | | | 10018 | (O) |
| 1F11F | | | 10019 | (P) |
| 1F120 | | | 10020 | (Q) |
| 1F121 | | | 10021 | (R) |
| 1F122 | | | 10022 | (S) |
| 1F123 | | | 10023 | (T) |
| 1F124 | | | 10024 | (U) |
| 1F125 | | | 10025 | (V) |
| 1F126 | | | 10026 | (W) |
| 1F127 | | | 10027 | (X) |
| 1F128 | | | 10028 | (Y) |
| 1F129 | | | 10029 | (Z) |
| 1F130 | | | 10901 | A |
| 1F131 | | | 10902 | B |
| 1F132 | | | 10903 | C |
| 1F133 | | | 10904 | D |
| 1F134 | | | 10905 | E |
| 1F135 | | | 10906 | F |
| 1F136 | | | 10907 | G |

| Unicode | 旧 | | 新 | |
|---------|-----|----|-------|----------|
| | CID | 字形 | CID | 字形 |
| 1F137 | | | 10908 | H |
| 1F138 | | | 10909 | I |
| 1F139 | | | 10910 | J |
| 1F13A | | | 10911 | K |
| 1F13B | | | 10912 | L |
| 1F13C | | | 10913 | M |
| 1F13D | | | 10914 | N |
| 1F13E | | | 10915 | O |
| 1F13F | | | 10916 | P |
| 1F140 | | | 10917 | Q |
| 1F141 | | | 10918 | R |
| 1F142 | | | 10919 | S |
| 1F143 | | | 10920 | T |
| 1F144 | | | 10921 | U |
| 1F145 | | | 10922 | V |
| 1F146 | | | 10923 | W |
| 1F147 | | | 10924 | X |
| 1F148 | | | 10925 | Y |
| 1F149 | | | 10926 | Z |
| 1F150 | | | 10631 | A |
| 1F151 | | | 10632 | B |
| 1F152 | | | 10633 | C |

| Unicode | 旧 | | 新 | |
|---------|-----|----|-------|----------|
| | CID | 字形 | CID | 字形 |
| 1F153 | | | 10634 | D |
| 1F154 | | | 10635 | E |
| 1F155 | | | 10636 | F |
| 1F156 | | | 10637 | G |
| 1F157 | | | 10638 | H |
| 1F158 | | | 10639 | I |
| 1F159 | | | 10640 | J |
| 1F15A | | | 10641 | K |
| 1F15B | | | 10642 | L |
| 1F15C | | | 10643 | M |
| 1F15D | | | 10644 | N |
| 1F15E | | | 10645 | O |
| 1F15F | | | 10646 | P |
| 1F160 | | | 10647 | Q |
| 1F161 | | | 10648 | R |
| 1F162 | | | 10649 | S |
| 1F163 | | | 10650 | T |
| 1F164 | | | 10651 | U |
| 1F165 | | | 10652 | V |
| 1F166 | | | 10653 | W |
| 1F167 | | | 10654 | X |
| 1F168 | | | 10655 | Y |

| Unicode | 旧 | | 新 | |
|---------|-----|----|-------|----------|
| | CID | 字形 | CID | 字形 |
| 1F169 | | | 10656 | Z |
| 1F170 | | | 11713 | A |
| 1F171 | | | 11714 | B |
| 1F172 | | | 11715 | C |
| 1F173 | | | 11716 | D |
| 1F174 | | | 11717 | E |
| 1F175 | | | 11718 | F |
| 1F176 | | | 11719 | G |
| 1F177 | | | 11720 | H |
| 1F178 | | | 11721 | I |
| 1F179 | | | 11722 | J |
| 1F17A | | | 11723 | K |
| 1F17B | | | 11724 | L |
| 1F17C | | | 11725 | M |
| 1F17D | | | 11726 | N |
| 1F17E | | | 11727 | O |
| 1F17F | | | 11728 | P |
| 1F180 | | | 11729 | Q |
| 1F181 | | | 11730 | R |
| 1F182 | | | 11731 | S |
| 1F183 | | | 11732 | T |
| 1F184 | | | 11733 | U |

| Unicode | 旧 | | 新 | |
|---------|-----|----|-------|----------|
| | CID | 字形 | CID | 字形 |
| 1F185 | | | 11734 | V |
| 1F186 | | | 11735 | W |
| 1F187 | | | 11736 | X |
| 1F188 | | | 11737 | Y |
| 1F189 | | | 11738 | Z |
| 1F202 | | | 10985 | 𠄎 |
| 1F237 | | | 11024 | 𠄎 |
| 2000B | | | 13839 | 𠄎 |
| 2008A | | | 14108 | 𠄎 |
| 200B0 | | | 14209 | 𠄎 |
| 201A2 | | | 13857 | 𠄎 |
| 2053F | | | 14188 | 𠄎 |
| 20611 | | | 14294 | 𠄎 |
| 20628 | | | 14105 | 𠄎 |
| 2090E | | | 13523 | 𠄎 |
| 20984 | | | 14109 | 𠄎 |
| 20A64 | | | 13755 | 𠄎 |
| 20B9F | | | 13803 | 𠄎 |
| 20BB7 | | | 13706 | 𠄎 |
| 2123D | | | 13953 | 𠄎 |
| 21A1A | | | 7825 | 𠄎 |
| 22609 | | | 15443 | 𠄎 |

| Unicode | 旧 | | 新 | |
|---------|-----|----|-------|----|
| | CID | 字形 | CID | 字形 |
| 233CC | | | 14140 | 𣗗 |
| 233FE | | | 15422 | 𣗘 |
| 2363A | | | 15393 | 𣗙 |
| 23CBE | | | 14293 | 𣗚 |
| 23CFE | | | 13904 | 𣗛 |
| 242EE | | | 14282 | 𣗜 |
| 243D0 | | | 7838 | 𣗝 |
| 24D14 | | | 13995 | 𣗞 |
| 2567F | | | 14075 | 𣗟 |
| 25874 | | | 7670 | 𣗠 |
| 25AD7 | | | 13922 | 𣗡 |
| 26222 | | | 13691 | 𣗢 |
| 2626A | | | 14189 | 𣗣 |
| 266B0 | | | 14100 | 𣗤 |
| 26951 | | | 13646 | 𣗥 |
| 26999 | | | 14134 | 𣗦 |
| 27FB7 | | | 13898 | 𣗧 |
| 28987 | | | 14253 | 𣗨 |
| 28CDD | | | 7641 | 𣗩 |
| 28E17 | | | 14256 | 𣗪 |
| 28EF6 | | | 7673 | 𣗫 |
| 2967F | | | 13849 | 𣗬 |

| Unicode | 旧 | | 新 | |
|---------|-----|----|-------|----|
| | CID | 字形 | CID | 字形 |
| 29D4B | | | 13717 | 𩺰 |
| 2A9E6 | | | 14145 | 寨 |
| 2B746 | | | 13780 | 今 |
| 2B751 | | | 13866 | 勢 |
| 2B777 | | | 13782 | 座 |
| 2B789 | | | 14064 | 桺 |
| 2B78E | | | 13724 | 槁 |
| 2B7BD | | | 14174 | 簑 |
| 2B7D8 | | | 13651 | 衛 |
| 2B81A | | | 14278 | 齣 |
| 2F804 | | | 15388 | 你 |
| 2F80F | | | 7814 | 兔 |
| 2F818 | | | 7817 | 冤 |
| 2F81A | | | 13954 | 冬 |
| 2F822 | | | 13684 | 割 |
| 2F828 | | | 13807 | 勺 |
| 2F82C | | | 14109 | 卉 |
| 2F833 | | | 13719 | 卿 |
| 2F83F | | | 13815 | 周 |
| 2F852 | | | 13841 | 城 |
| 2F862 | | | 13998 | 姬 |
| 2F86D | | | 14121 | 冤 |

| Unicode | 旧 | | 新 | |
|---------|-----|----|-------|----|
| | CID | 字形 | CID | 字形 |
| 2F873 | | | 13832 | 将 |
| 2F877 | | | 7754 | 屠 |
| 2F884 | | | 7734 | 巽 |
| 2F89A | | | 13928 | 彫 |
| 2F8AC | | | 13750 | 憲 |
| 2F8B2 | | | 13867 | 成 |
| 2F8B6 | | | 14129 | 拔 |
| 2F8D3 | | | 7816 | 冕 |
| 2F8DB | | | 14140 | 杞 |
| 2F8DC | | | 7695 | 杓 |
| 2F8E1 | | | 14291 | 栞 |
| 2F8EA | | | 13679 | 概 |
| 2F8ED | | | 7665 | 櫛 |
| 2F8FC | | | 13656 | 沿 |
| 2F903 | | | 13768 | 浩 |
| 2F90B | | | 13801 | 滋 |
| 2F90F | | | 13932 | 潮 |
| 2F91A | | | 13916 | 炭 |
| 2F920 | | | 7839 | 爨 |
| 2F921 | | | 13809 | 爵 |
| 2F945 | | | 13357 | 眞 |
| 2F947 | | | 13854 | 眞 |

| Unicode | 旧 | | 新 | |
|---------|-----|----|-------|----|
| | CID | 字形 | CID | 字形 |
| 2F96C | | | 14180 | 絣 |
| 2F995 | | | 13670 | 芽 |
| 2F9D0 | | | 14068 | 諭 |
| 2F9DF | | | 14069 | 輸 |
| 2F9F4 | | | 15269 | 騫 |